



ADDENDUM #1

DATE: **June 7, 2022**

FROM: **Tyler Quattrocchi, Park Planner**
ARLINGTON HEIGHTS PARK DISTRICT

TO: **PROSPECTIVE BIDDERS –Dryden Parking Lot Replacement**

SUBJECT: **ADDENDUM #1 – Scope Clarifications**

ADDENDA TO BID DOCUMENT

- 1) **Replacement of concrete wall: wall shall be removed enough to allow for installation of new concrete wall. If more wall or footing exists, the contractor shall cut off and bury any remaining deeper pieces.**
- 2) **Bid RFI: Height of the wooden fence at the dumpster enclosure?**
 - a. **8 feet. See attached revised sheet C201.**

BIDDERS ARE REQUESTED TO SIGN THIS FORM AS A FORMAL RECEIPT OF THIS ADDENDUM AND TO RETURN IT WITH THE BID FORM.

SIGNED BY BIDDER _____

J.U.L.I.E.

Note: The exact location of all utilities shall be verified by the contractor prior to construction activities. For utility locations call: J.U.L.I.E. 1 (800) 892-0123

SURVEY PROVIDED BY:

Topographic Map Provided By Norman J. Toberman and Associates For Arlington Heights Park District on November 8, 2021.

BENCHMARKS

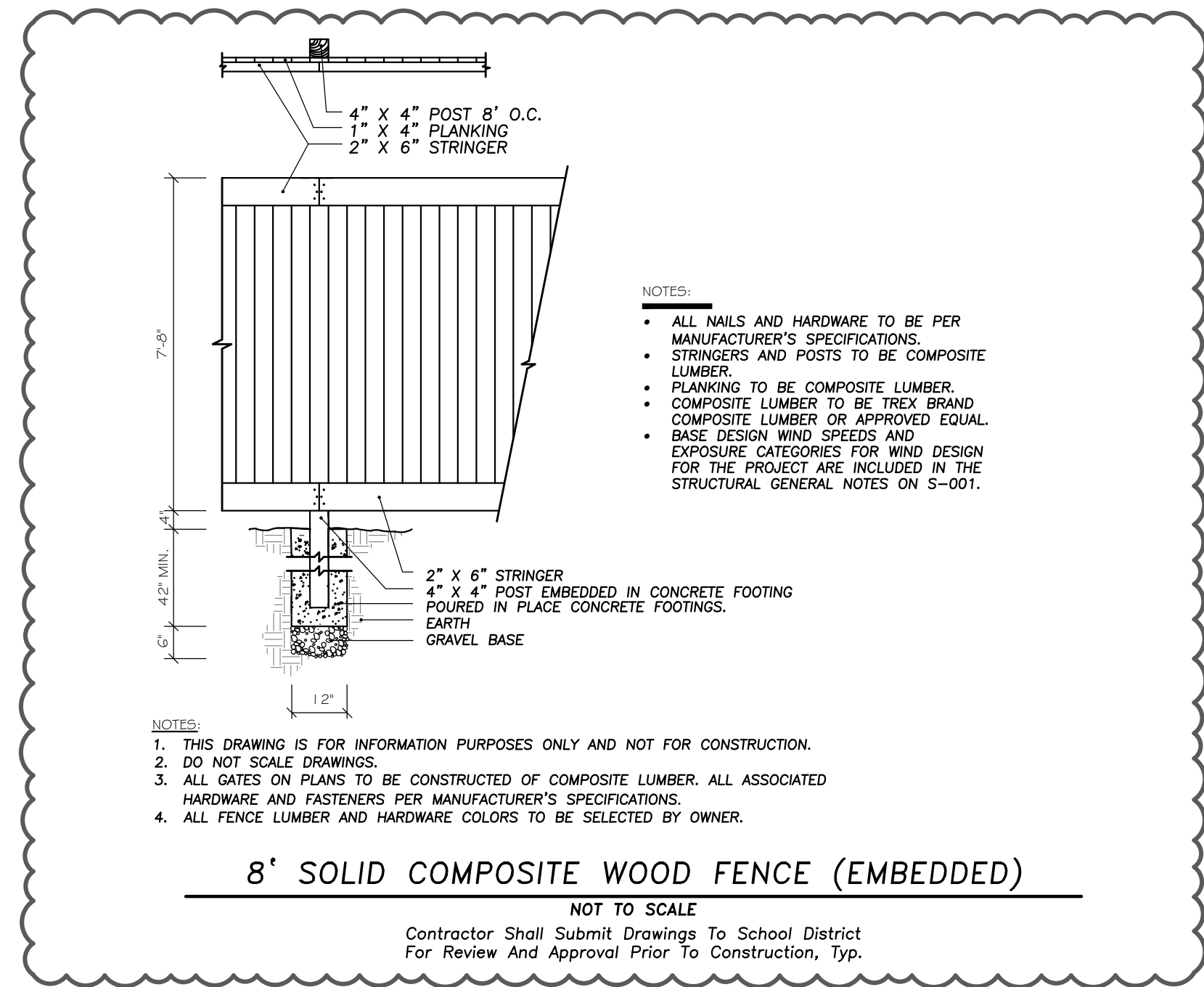
Bench Mark
Northeast Flange Bolt Fire Hydrant 95 Feet North And 21 Feet East Of Northeast Corner Of Tennis Court
Elev. = 689.25 (NAVD88)

Place Chiseled Cross In Concrete
N1968654.91
E1082329.45
Elev. = 688.71

Place Chiseled Cross In Concrete
N1968710.64
E1082501.36
Elev. = 685.80

Place Chiseled Cross In Concrete
N1968710.64
E1082329.45
Elev. = 683.80

Elevations Shown Hereon Are Based On The NAVD88 Datum Plane.



8' SOLID COMPOSITE WOOD FENCE (EMBEDDED)

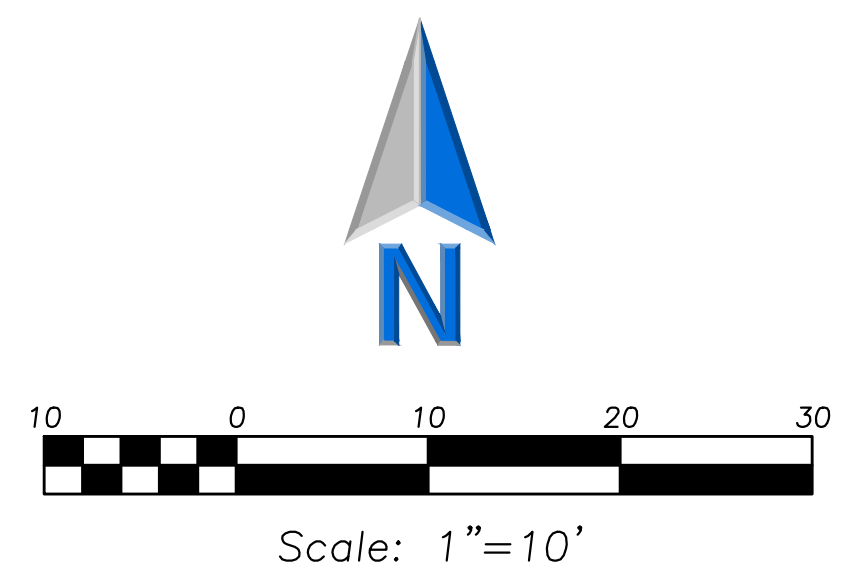
NOT TO SCALE
Contractor Shall Submit Drawings To School District For Review And Approval Prior To Construction, Typ.

GEOMETRY NOTES

- All Dimensions Contained Herein Reference Back Of Curb, Face Of Retaining Wall, Edge Of Pavement, Center of Structure And Outside Face Of Building Foundation Unless Otherwise Noted.
- All Pavement Striping Shall Be 4" Wide Yellow Paint Per Specifications, Two Coats For Latex Paints. All Cross Hatch Striping Shall Be 45° At 2'-0" Centers.
- All Accessible Parking Signs (R7-8) Must Be Placed at the Center of the Space and Within 5 Feet of the Space.
- Traffic Sign Posts Shall Be Breakaway Green U-Channel Posts, 2-1/8" Dia, 11 Gauge Steel, Embedded 42" Minimum Into Ground.

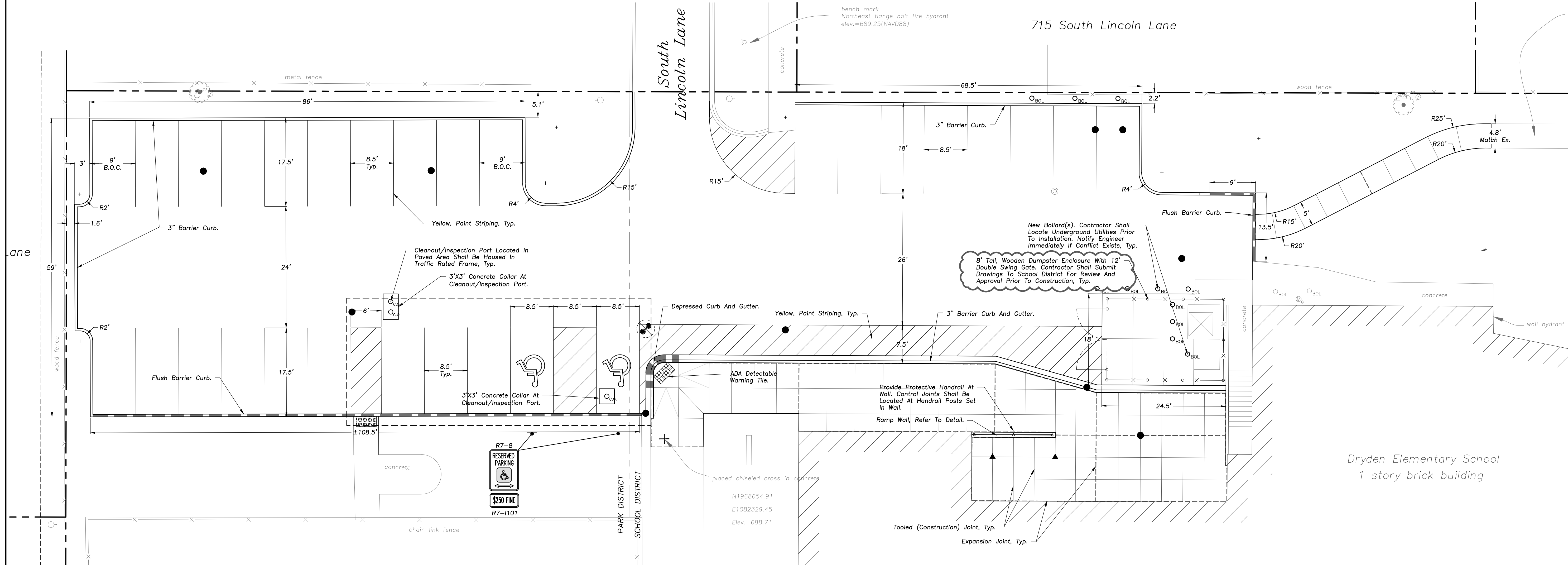
GENERAL NOTES

- The Location of Existing Underground Utilities, Such As Watermains, Sewers, Gas Lines, Etc., As Shown On The Plans, Has Been Determined From The Best Available Information and Is Given For The Convenience of The Contractor. However, The Owner and The Engineer Do Not Assume Responsibility in The Event That During Construction, Utilities Other Than Those Shown May Be Encountered, and That The Actual Location of Those Which Are Shown May Be Different From The Location As Shown On The Drawings. Contact Engineer Immediately If Surface and/or Subsurface Features Are Different Than Shown On The Drawings.
- Notify The Engineer Without Delay of Any Discrepancies Between the Drawings and Existing Field Conditions.
- Notify The Owner, Engineer and The Village of Arlington Heights A Minimum of 48 Hours In Advance of Performing Any Work.
- All Areas, On or Off Site, Disturbed During Construction Operations and Not Part of the Work As Shown Hereon Shall Be Restored To Original Condition to the Satisfaction of the Owner at No Additional Cost to the Owner. It is Incumbent Upon Contractor to Show That Damaged Areas Were Not Disturbed By Construction Operations.
- These Drawings Assume That The Contractor Will Utilize An Electronic Drawing File (DWG) and Stake All Site Improvements Accordingly.
- No Person May Utilize The Information Contained Within These Drawings Without Written Approval From Eriksson Engineering Associates, Ltd.
- The Engineer Is Furnishing These Drawings For Construction Purposes As A Convenience To The Owner, Architect, Surveyor, or Contractor. Prior To The Use Of These Drawings For Construction Purposes, The User Of This Media Shall Verify All Dimensions And Locations Of Buildings With The Foundation Drawings And Architectural Site Plan, and Coordinate All Dimensions and Locations of All Site Items. If Conflicts Exist The User Of This Information Shall Contact The Engineer Immediately.
- The Illinois Department Of Transportation Standard Specifications For Road And Bridge Construction, Latest Edition, And All Addenda Thereto, Shall Govern The Earthwork And Paving Work Under This Contract Unless Noted Otherwise.



LEGEND

EXISTING	PROPOSED
Manhole	Catch Basin
Area Drain	Storm Sewer
Sanitary Sewer	Sanitary Sewer
Water Main	Gas Line
Gas Line	Overhead Wires
Fire Hydrant	Valve Vault
Ballard	Gas Meter
Light Pole	Utility Pole
Sign	Fence
Accessible Parking Stall	Accessible Parking Stall
Curb & Gutter	Depressed Curb
Depressed Curb	Curb Elevation
Curb Elevation	Gutter Elevation
Gutter Elevation	Pavement Elevation
Pavement Elevation	Sidewalk Elevation
Sidewalk Elevation	Ground Elevation
Ground Elevation	Top of Retaining Wall Elevation
Top of Retaining Wall Elevation	Swale
Swale	Contour Line
Contour Line	Deciduous Tree
Deciduous Tree	Coniferous Tree
Coniferous Tree	Brushline
Brushline	Tree Protection Fencing at Drip Line



ERIKSSON ENGINEERING ASSOCIATES, LTD.
145 COMMERCE DRIVE, SUITE A
GRAYSLAKE, ILLINOIS 60030
PHONE: (847) 223-4804
FAX: (847) 223-4864
EMAIL: INFO@EEA-LTD.COM
PROFESSIONAL DESIGN FIRM
LICENSE NO. 184-003220
EXPIRES: 04/30/2023

**AHPD/AHSD 25
DRYDEN SCHOOL - PARKING LOT
RECONSTRUCTION
722 S DRYDEN PLACE / 811 E ROCKWELL STREET
ARLINGTON HEIGHTS, ILLINOIS**

Reserved for Seal:

No.	Date	Description
	05/24/22	ISSUED FOR BID

© ERIKSSON ENGINEERING ASSOCIATES, LTD. 2021
THIS PLAN & SPEC. ARE THE PROPERTY OF ERIKSSON ENGINEERING ASSOCIATES, LTD. NO REPRODUCTION OR USE OF THIS PLAN IS PERMITTED WITHOUT THE WRITTEN CONSENT OF ERIKSSON ENGINEERING ASSOCIATES, LTD.
Design By: JC Approved By: MR Date: 12/07/2021

Sheet Title:
SITE GEOMETRY PLAN

Sheet No:
C201



ADDENDUM #2

DATE: **June 8, 2022**

FROM: **Tyler Quattrocchi, Park Planner**
ARLINGTON HEIGHTS PARK DISTRICT

TO: **PROSPECTIVE BIDDERS –Dryden Parking Lot Replacement**

SUBJECT: **ADDENDUM #2 – Scope Clarifications**

ADDENDA TO BID DOCUMENT

- a. **See attached supplemental sketch for additional detail regarding the replacement foundation wall**

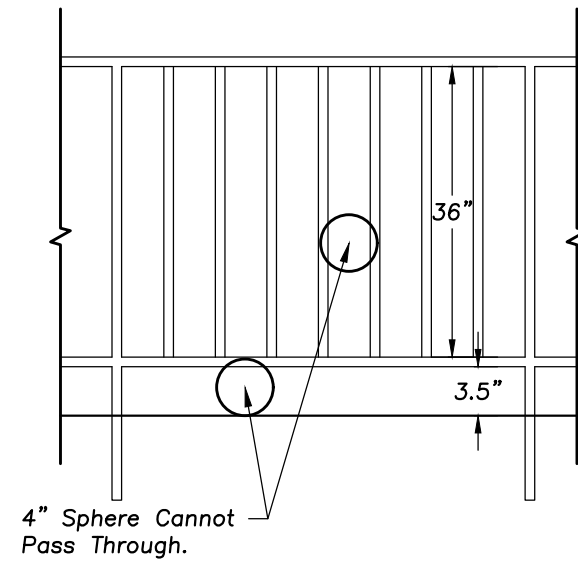
**BIDDERS ARE REQUESTED TO SIGN THIS FORM AS A FORMAL
RECIPT OF THIS ADDENDUM AND TO RETURN IT WITH THE BID
FORM.**

SIGNED BY BIDDER _____



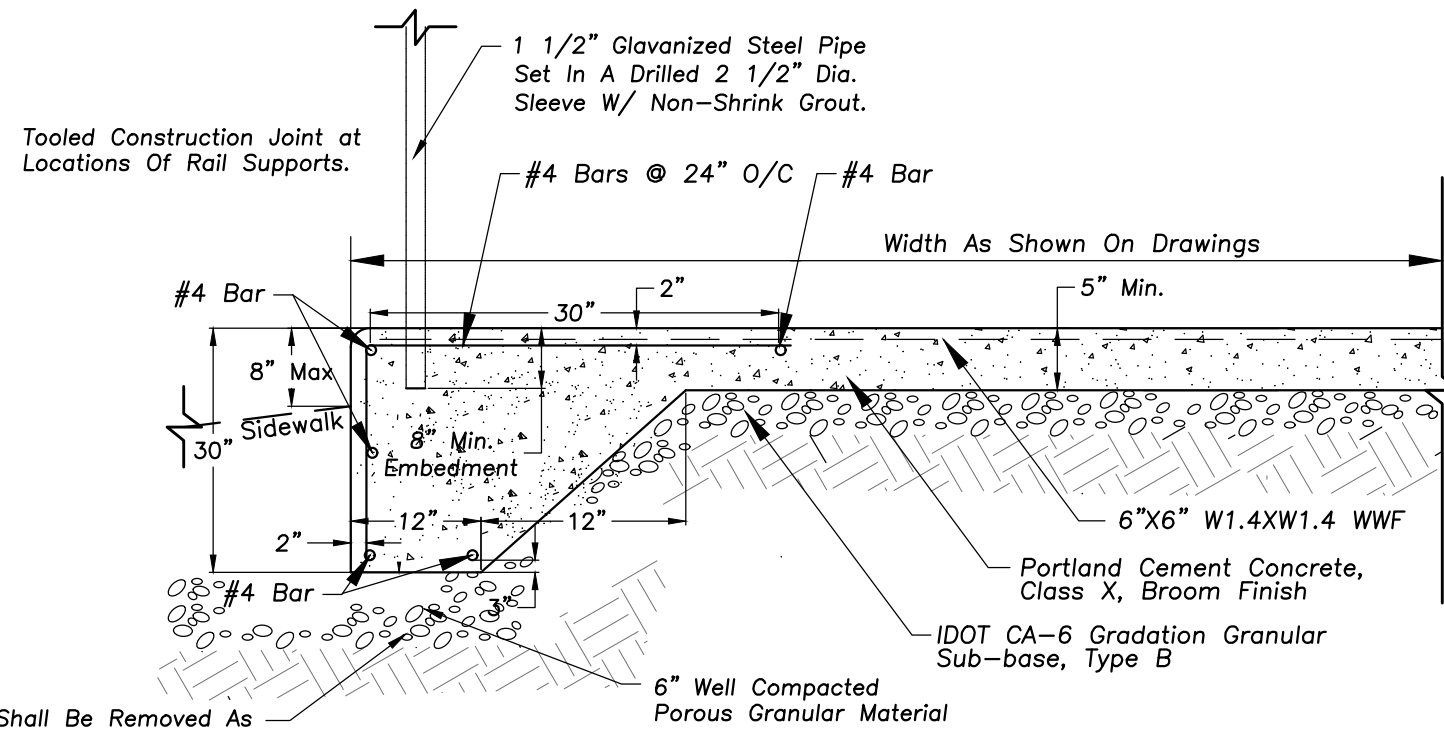
ERIKSSON
ENGINEERING
ASSOCIATES, LTD.

145 COMMERCE DRIVE, SUITE A
GRAYSLAKE, ILLINOIS 60030
PHONE: (847) 223-4804
FAX: (847) 223-4804
EMAIL: INFO@EEA-LTD.COM
PROFESSIONAL DESIGN FIRM
LICENSE NO. 184-003220
EXPIRES: 04/30/2023



4" Sphere Cannot Pass Through.

Schematic Reference
Contractor Shall Submit Cut Sheet,
Signed And Sealed By A Structural
Engineer, For Review And Approval.



Tooled Construction Joint at Locations Of Rail Supports.

Existing Wall Shall Be Removed As Necessary To Provide Minimum of 6" Of Compacted Granular Material Beneath Thickened Slab Edge.

MONOLITHIC CURB WITH HANDRAIL

Contractor To Provide Alternate Price For Replacing
"HANDRAIL/GUARD MOUNTING DETAIL (N.T.S)" and
"RAMP WALL DETAIL (N.T.S.) With Detail Above

REFERENCE SHEET C602

AHPD/AHSD 25

DRYDEN SCHOOL - PARKING LOT RECONSTRUCTION
722 S DRYDEN PLACE / 811 E ROCKWELL STREET
ARLINGTON HEIGHTS, ILLINOIS

ERIKSSON ENGINEERING ASSOCIATES, LTD. 2021
DESIGN BY: xxx CHECKED BY: xxx DATE: xx/xx/xx

Sheet Title:

SITE WORK
DETAILS

Sheet No:

CSK-01



ADVERTISEMENT FOR BID

Project Name: Dryden Parking Lot Replacement

Notice is hereby given to potential Bidders that the Arlington Heights Park District (the "District," "Park District" or "Owner") will receive sealed bids for the above referenced Project until **6/10/2022 at 1:00 PM** at the Arlington Heights Park District, 410 N. Arlington Heights Road, Arlington Heights, Illinois 60004 at which time the bid proposals will be publicly opened and read aloud. The scope of the project includes: **Demolition, excavation, site utilities and paving.**

Each bid must be received in a sealed opaque envelope and shall be clearly marked "**Sealed Bid – Dryden Parking Lot Replacement**" and addressed and delivered to the Arlington Heights Park District, Attention: **BID Dept.**, 410 N. Arlington Heights Road, Arlington Heights, Illinois 60004.

Bid Documents may be obtained from the Arlington Heights Park District website: <https://www.ahpd.org/capital-improvements/rfps-and-bids/>. For more information, contact **Tyler Quattrocchi, Park Planner.**

A pre-bid meeting is scheduled for 6/3/2022 at 10:00 AM at Dryden Park, 811 E. Rockwell St., Arlington Hts., IL 60004.

The District reserves the right to waive all technicalities, to accept or reject any or all bids, or to accept only portions of a bid and reject the remainder without disclosure for any reason. Failure to make such a disclosure will not result in accrual of any right, claim or cause of action by any Bidder against the District. Owner will award the Contract to the lowest most responsible and responsive Bidder, as determined by Owner. In considering the Bidder's responsibility, the Owner may evaluate, among other factors, the ability of the Bidder to provide experienced labor sufficient in numbers to timely and properly complete the Work, the financial capability of the Bidder, and the performance of the Bidder on other projects.

Bids shall not include federal excise tax or state sales tax for materials to be incorporated in, or totally consumed in the prosecution of the Work. A tax exemption certificate will be furnished by the Park District at the request of the Bidder. The Park District's tax exemption number shall only be used by the successful Bidder for the Work of this Project only.

After the bid opening, no bid may be withdrawn or canceled for a period of (60) calendar days.

The Work of this Project is subject to the Illinois *Prevailing Wage Act*, 820 ILCS 130/0.01 *et seq.* A prevailing wage determination has been made by the Park District, which is the same as that determined by the Illinois Department of Labor for public works projects in Cook County. The Contract entered into for the Work will be drawn in compliance with said law and proposals should be prepared accordingly and provide for payment of all laborers, workmen, and mechanics needed to perform the Work at no less than the prevailing rate of wages (including

the prevailing rate for legal holiday and overtime work as applicable) for each craft, type of worker, or mechanic.

All bids must be accompanied by cashier's check, certified check, or bid bond payable to the order of the Arlington Heights Park District for ten percent (10%) of the amount of the bid as provided in the Instructions to Bidders. No proposals or bids will be considered unless accompanied by such bond or check.

The Contractor(s) selected will also be required to comply with all applicable federal, state and local laws, rules, regulations and executive orders, including but not limited to those pertaining to equal employment opportunity.

By Order Of:

Board of Park Commissioners
Arlington Heights Park District
5/27/2022



INSTRUCTIONS TO BIDDERS

DATE: 5/27/2022

BID REQUEST: Dryden Parking Lot Replacement

Sealed bids will be accepted until **6/10/2022 at 1:00 PM** and immediately thereafter publicly opened and read aloud at the Arlington Heights Park District Administration Office, 410 N. Arlington Heights Road, Arlington Heights, Illinois 60004. Bids arriving after this time will be rejected and will be returned unopened, including mailed bids regardless of when post marked. All Bidders are welcome to attend the bid opening. After bid opening, bids will be submitted for approval to the Arlington Heights Park District Board of Park Commissioners at a regularly scheduled meeting.

1. Preparation and Submission of Bid Proposal

It is the sole responsibility of the Bidder to see that his bid is received in proper time. **No faxed or e-mail bid or modification of a bid will be considered.** The Park District is not responsible for the premature opening of bids not marked as required. Any bid opened prematurely due to the failure of the Bidder to mark the envelope in accordance with these Bid Documents will be considered non-responsive. Bidders' prices are to include the delivery of all materials; including; equipment, supplies, tools, scaffolding, transportation, insurances, bonds, warranties, and all other items and facilities, and the performance of all labor and services, necessary for the proper completion of the Work except as may be otherwise expressly provided in the Contract Documents. Bids shall not include federal excise tax or state sales tax for materials to be incorporated in, or totally consumed in the prosecution of, the Work. An exemption certificate will be furnished by the Park District upon request of the Bidder.

Bidder must acknowledge all Addenda received in the spaces provided on the Contractor Bid Form. By submitting a bid, Bidder indicates that all considerations issued by Addendum are incorporated in the bid.

Bidders shall return all Bid Documents, including Drawings and Specifications with the bid, and **no sheets shall be detached from any part of the Bid Documents.**

Attached to the Bid Form will be one or more certifications regarding the Bidder's compliance with applicable laws. **Failure of a Bidder to complete/submit a required**

certification shall be the basis for immediate rejection of that Bidder's bid. The certification of the successful Bidder shall become a part of the Contract with the Park District.

The Bidder shall submit its prices on the attached Bid Proposal Form. The Bid Proposal Form shall be executed properly and all writing, including all signatures, shall be with black ink. Failure to use the Bid Proposal Form provided could result in rejection of the bid. Do not detach any portion of this document; invalidation of the bid could result.

The Bidder shall specify in figures, in the places provided, a price for each of the separate items called for in the Bid Form.

2. Requirement of Bidders

Bidders must be able to demonstrate that they: 1) have experience in performing and have successfully performed and are still actively engaged in performing work similar in kind and scope to the Services; and 2) are able to show that they have adequate laborers and materials to successfully complete the Services as indicated in the Bid Documents and within the time required by the Bid Documents. The Contractor shall not have been debarred or determined ineligible for public contracts by any governmental agency.

The following information must be attached to the bid proposal. Failure to do so may result in disqualification of the Bidder.

On a separate sheet, list at least five (5) service contracts your organization has completed in the past two (2) years, which are comparable in scope, giving the name of the client, client contact and telephone number, and length of contract.

On a separate sheet, list all administrative proceedings and litigation filed by or against Bidder in the past five (5) years, including the name and case number, name/jurisdiction of the court or administrative agency, and a summary of each claim/case, including current status and if no longer pending, the disposition. The foregoing includes but is not limited to information regarding any proceedings and actions taken by any governmental agency to debar or disqualify the Bidder from bidding on public contracts, including the name of the agency initiating the proceeding/action, the nature of the proceeding/action, the claimed basis for the proceeding/action and the current status or disposition of the proceeding/action.

Initial here if there is nothing to disclose: _____

On a separate sheet, indicate all instances in which Bidder has been rejected for not being a responsible bidder, giving the name of the client, client contact and telephone number, and an explanation of the circumstances surrounding the rejection.

Initial here if there is nothing to disclose: _____

On a separate sheet, provide a list of all contracts to which you were a party and with respect to which you were declared to be in breach of one or more provisions, giving the type of contract, the project location where applicable, the names and addresses of the parties to the contract, the name of the party declaring the breach, the nature of the claimed breach and current status or resolution of the claim.

Initial here if there is nothing to disclose: _____

Other required submittals include: Bid Proposal; Contractor's Compliance and Certifications. **Failure of a Bidder to complete/submit these documents shall be the basis for immediate rejection of that Bidder's bid.**

3. Examination of Site, Drawings, Specifications

Each Bidder shall visit the site(s) of the proposed Work and fully acquaint himself with conditions, as they exist, and shall undertake such additional inquiry and investigation as he shall deem necessary so that he may fully understand the requirements, facilities, possible difficulties and restrictions attending the execution of the Work under the Contract. Bidder shall thoroughly examine and be familiar with all of the Bid Documents including but not limited to the Drawings and the written Specifications. Any conflicts or discrepancies found between or among Bid Documents, including but not limited to the Drawings and written Specifications, and the site conditions, or any errors, omissions or ambiguities in the Drawings or written Specifications shall be immediately reported to the Park District and written clarification requested prior to submission of a bid.

The failure or omission of any Bidder to obtain, receive or examine any form, instrument, or information or to visit the Project site(s), and become knowledgeable with respect to conditions there existing, or to seek needed clarification shall in no way relieve any Bidder from any obligations with respect to his/her bid. By submitting a bid, the Bidder agrees, represents and warrants that he has undertaken such investigation as he deemed necessary, has examined the site(s) and the Bid Documents, has obtained all needed clarifications and where the Bid Documents indicate in any part of the Work, that a given result be produced, that the Bid Documents are adequate and the required result can be produced as indicated in the Specifications and Drawing(s). Once the award has been made, failure to have undertaken and completed the foregoing tasks shall not be cause to alter the original Contract or to request additional compensation.

4. Acceptance or Rejection of Bids

The Park District may accept the bid of, and award the Contract for the Work to, the lowest responsive and responsible Bidder as determined by and in the sole discretion of the Park District.

The Owner reserves the right to (1) reject all bids; (2) reject only certain bids which are non-conforming or non-responsive to the bid requirements; (3) accept only a portion, part or specific items of Work of all and reject others, as the Owner shall in its sole discretion determine to be in its best interest; and/or (4) award the Contract to the responsible Bidder submitting the lowest bid responsive to the bidding requirements. No bid will be accepted from or Contract awarded to any person, firm or corporation that is in arrears or is in default to the Park District upon any debt or contract, or that is a defaulter, as surety or otherwise, upon any obligation to said Park District or that has failed to perform faithfully any previous contract with the Park District.

In the event of a rejection of a portion, part, or certain items of Work of all bids, the bid of each Bidder shall automatically be deemed reduced by the amount of such rejected part or item at the unit price or other cost designated therefore by that Bidder on its submitted Contractor Bid Proposal Form. The successful Bidder so selected may not refuse to enter into a Contract with the Owner on the basis that the Owner awarded a Contract for less than all portions or items of the Work specified in the Bid Documents. The Arlington Heights Park District Board of Park Commissioners reserves the right to waive any technicalities or irregularities, and to disregard any informality on the bids and bidding, when in its opinion the best interest of the Park District will be served by such actions and in accordance with applicable law.

5. Surety

All bids must be accompanied by a bid bond or bank cashier's check or certified check payable to the Arlington Heights Park District for ten percent (10 %) of the amount of the bid and drawn on a responsive and responsible bank doing business in the United States. All bids not accompanied by a bid security, when required, will be rejected.

The bid security of all except the three (3) lowest responsive and responsible Bidders will be returned after the decision to accept or reject bids by the Arlington Heights Park District Board of Park Commissioners. The bid security of the successful Bidder will be returned after acceptance by the Park District of an acceptable Performance Bond, Labor and Materials/Payment Bond and a certificate of insurance naming the Arlington Heights Park District as the certificate holder and as additional insured, and the successful Bidder has executed and returned to the Park District the Contract for the Work presented by the Park District.

Prior to beginning Work, the successful Bidder shall furnish a Performance Bond, and Labor and Materials/Payment Bond in the amount of 110% of the Contract Sum, using a form similar to the AIA-A312-2010 form, or its current equivalent, or one acceptable to Owner, cosigned by a surety company licensed to conduct business in the State of Illinois and with at least an "A" rating and a financial rating of at least "X" in the latest edition of the Best Insurance Guide. Said bond shall guarantee the faithful performance of the Work in accordance with the Contract, the payment of all indebtedness incurred for labor and

materials, and guarantee correction of Work. The cost of each bond shall be included in the Contract Sum. The Bidder and all Subcontractors shall name the Park District as an obligee on all bonds. Said bonds shall meet the requirements of the Illinois Public Construction Bond Act, 30 ILCS 550/0.01 *et seq.* and any further amendments thereto. Bidder shall include in its Performance Bond and Labor and Material Payment Bond such language as shall guarantee the faithful performance of the Prevailing Wage Act as required in these Bid Documents.

The Performance Bond and Labor and Material Payment Bond will become a part of the Contract. The failure of the successful Bidder to enter into the Contract and supply the required bonds and evidence of insurance within ten (10) days after the Contract is presented for signature, or within such extended period as the Park District may grant, shall constitute a default, and the Park District may either award the Contract to the next responsible Bidder, or re-advertise for bids. In the event of a default, the Owner need not return the defaulting Bidder's bid surety and may charge against the defaulting Bidder for the full difference between the amount for the bid and the amount for which a Contract for the Work is subsequently executed, irrespective of whether the amount thus due exceeds the amount of the defaulting Bidder's bid surety.

6. Withdrawal of Bid

Bidders may withdraw or cancel their bids at any time prior to the advertised bid opening time by signing and submitting a request for said withdrawal. After the bid opening time, no bid shall be withdrawn or canceled for a period of sixty (60) calendar days.

7. Award, Acceptance and Contract

Owner will award the Contract to the lowest most responsible and responsive Bidder, as determined by Owner. In considering the Bidder's responsibility, the Owner may evaluate, among other factors, the ability of the Bidder to provide experienced labor sufficient in numbers to timely and properly complete the services, conformity with the Specifications, serviceability, quality, and the financial capability of the Bidder, and the performance of the Bidder on other projects.

The Owner shall have the right to accept Alternates in any order or combination, unless otherwise specifically provided in the Bid Documents, and to determine the low Bidder on the basis of the sum of the Base Bid and Alternates accepted.

Bids will be awarded to one Bidder for the entire Project or to any series of Bidders for an appropriate proportion of the Project. If specified in the Bid Form, awards will be based upon the submitted unit prices.

The acceptance of a bid will be by a Notice of Award, signed by a duly authorized representative of the Park District; no other act by the Park District shall constitute the acceptance of a bid. The acceptance of a bid by the Park District shall bind the successful Bidder to execute and perform the Work of the Contract. The successful Bidder to whom the Contract is awarded by the Park District shall sign and deliver to the Park District for execution by the Park District all required copies of the Contract, along with all required insurance and surety documents within ten (10) days after presentation to him of the Contract for signature. In case the Bidder shall fail or neglect to do so, he will be considered as having abandoned the Contract, and as being in default to the Owner. The Owner may thereupon re-advertise or otherwise award said Contract and forfeits the Bid Security.

The Invitation to Bid, Instructions to Bidders, General Conditions, Supplementary and/or Special Conditions, if any, Drawings, Specifications, Contractor Bid Proposal Form, Addenda, if any, Contractors Compliance and Certifications Attachment, and Substance Abuse Certification and the Prevailing Wage Determination and Supersedes Notice comprise the Bid Documents. The Bid Documents, together with the Standard /Form of Agreement between Owner and Contractor AIA Document A101-2017, as modified by the Park District (or such other form of agreement or contract selected by Owner), and the Performance Bond and Labor Material Payment Bond and proof of insurance comprise the Contract Documents.

8. Interpretation of the Contract Documents

The Park District shall in all cases determine the amount or quantity of the several kinds of Work which are to be paid for under this Contract, and shall decide all questions which may arise relative to the execution of the Contract on the part of the Contractor, and all estimates and decisions shall be final and conclusive. The Park District shall have the right to make alterations in the lines, grades, plans, forms, or dimensions of the Work herein contemplated either before or after the commencement of the Work. If such alterations diminish the quantity of the Work to be done, they shall not constitute a claim for damage or for anticipated profits on the work dispensed with, or if they increase the amount of Work, such increase shall be paid according to the quantity actually done and at the price or prices stipulated for such Work in the Contract. The Park District reserves the right to approve, an equal to or superior to product or equipment required under the Specifications, or to reject as not being and equal to or superior to the product or equipment required under the Specifications. If the Bidder is in doubt as to the interpretation of any part of the Bid Documents, or finds errors, discrepancies or omissions from any part of the Contract Documents, he must submit a written request for interpretation thereof not later than three (3) days prior to opening of bids to the Park District. Address all communications to tquattrocchi@ahpd.org at the Park District. If an error or omission is discovered in the Bid Documents after the bid opening, the Park District reserves the right: i) to determine whether to require the submission of new bids; or ii) if the error or omission is of such a nature that it was

reasonably discoverable upon a careful review of the Bid Documents, to award the Contract to the lowest responsive and responsible Bidder as determined by the Park District and to require that Contractor to perform the Work in accordance with an issued correction by the Park District and/or Architect and for the amount bid by the Contractor. Such decisions are final and not subject to recourse. Errors and omissions made by the Bidder cannot be corrected after the bid opening.

9. Addenda

Any interpretation, correction to, or addition to the Bid Documents will be made by written Addendum and will be delivered by mail or fax to each prime Bidder of record. The written Addenda constitute the only interpretations of the Bid Documents; the Park District accepts no responsibility for any other claimed interpretations or communications.

It is the responsibility of each Bidder to verify that he has received all Addenda prior to submitting a bid. It is also the responsibility of each Bidder to verify that all subcontractors and material suppliers whose prices are incorporated in the Bidder's bid are familiar with the Bid Documents in their entirety, including all Addenda issued up to the time of bid opening.

In the event a conflict or omission is discovered in the Bid Documents after the issuing of the last Addendum such that an interpretation cannot be issued by the Park District prior to bidding, the Bidder is directed to estimate on and provide the quantity and quality of material and labor consistent with the overall represented and indicated Work so as to provide all materials, equipment, labor, and services necessary for the completion of the Work in accordance with the Bid Documents.

10. Substitutions during Bidding

Unless otherwise indicated, the use of brand names in the Specifications is used for the purpose of establishing a grade or quality. Bidders proposing to use an alternate that is equal to or superior to in every respect to that required by the Specifications must request approval in writing to the Park District at least seven (7) business days prior to the bid opening and mark the item as 'or approved equal'.

Additionally, Bidders requesting approval for use of an alternate must provide certification by the manufacturer that the substitute proposed is equal to or superior in every respect to that required by the Contract Documents, and that its in-place performance will be equal to or superior to the product or equipment specified in the application indicated. The Bidder, in submitting the request for substitution, waives the right to additional payment or an extension of Contract Time because of the failure of the substitute to perform as represented in the request for substitution.

The Park District may request additional information or documentation necessary for evaluation of the request for substitution. The Park District will notify all Bidders of acceptance of the proposed substitute by means of an Addendum to the Bid Documents. Park District's approval of a substitute during bidding does not relieve the Contractor of the responsibility to submit required shop drawings and to comply with all other requirements of the Contract Documents, including but not limited to proper performance of all components of the Work and suitability for the uses specified.

Bids proposing alternates not previously approved by the Park District will be considered non-responsive and rejected. The Park District reserves the right to determine whether a substituted selection, in its judgment, is equal to or better quality and therefore an acceptable alternate. Such decisions are final and not subject to recourse.

GENERAL CONDITIONS OF THE CONTRACT FOR CONSTRUCTION

The American Institute of Architects "AIA Document A201-2017 General Conditions of the Contract for Construction," 2007 Edition, as modified by Owner, and included in this Project Manual are the General Conditions.

SUPPLEMENTAL CONDITIONS

The "General Conditions of the Contract, AIA Document A201, 2017 Edition" (the "General Conditions"), as modified by Owner, are hereby amended to include the following:

I. Insurance and Indemnity Requirements

Contractor shall procure and maintain for the duration of the contract, insurance against claims for death, injuries to persons, or damages to property which may arise from or in connection with the performance of work hereunder by the Contractor, his agents, representatives, employees or subcontractors of the types and in the amounts listed below.

- A. Commercial General and Umbrella Liability Insurance.** Contractor shall maintain commercial general liability (CGL) and, if necessary, commercial umbrella insurance with a limit of not less than **\$3,000,000 each occurrence**. If such CGL insurance contains a general aggregate limit, it shall apply separately to this project/location. CGL insurance shall be written on Insurance Services Office (ISO) occurrence form CG 00 01, or a substitute form providing equivalent coverage, and shall cover liability arising from premises, operations, independent contractors, products-completed operations, personal injury and advertising injury, and liability assumed under an insured contract (including the tort liability of another assumed in a business contract). Owner, its elected and appointed officials, officers, employees and agents shall be included as an insured under the CGL, **using ISO additional insured endorsement CG 20 10** or a substitute providing equivalent coverage, and under the commercial umbrella, if any. This insurance shall apply as primary insurance with respect to any other insurance or self-insurance afforded to Owner. There shall be no endorsement or modification of the CGL limiting the scope of coverage for liability arising from pollution, explosion, collapse, or underground property damage.
- B. Continuing Completed Operations Liability Insurance.** Contractor shall maintain commercial general liability (CGL) and, if necessary, commercial umbrella liability insurance with a limit of not less than \$3,000,000 each occurrence for at least three years following substantial completion of the work. Continuing CGL insurance shall be written on ISO occurrence form CG 00 01, or substitute form providing equivalent coverage, and shall, at minimum, cover liability arising from products-completed operations and liability assumed under an insured contract. Continuing CGL insurance shall have a products-completed operations aggregate of at least two times its each occurrence limit. Continuing commercial umbrella coverage, if any, shall include liability

coverage for damage to the insured's completed work equivalent to that provided under ISO form CG 00 01.

- C. Business Auto and Umbrella Liability Insurance.** Contractor shall maintain business auto liability and, if necessary, commercial umbrella liability insurance with a limit of not less than \$1,000,000 each accident. Such insurance shall cover liability arising out of any auto including owned, hired and non-owned autos. Business auto insurance shall be written on Insurance Services Office (ISO) form CA 00 0 1, CA 00 05, CA 00 12, or a substitute form providing equivalent liability coverage equivalent to that provided in the 1990 and later editions of CA 00 01.
- D. Workers Compensation Insurance.** Contractor shall maintain worker's compensation as required by statute and employer's liability insurance. The commercial umbrella and/or employer's liability limits shall not be less than \$1,000,000 each accident for bodily injury by accident or \$1,000,000 each employee for bodily injury by disease. If Owner has not been included as an insured under the CGL using ISO additional insured endorsement CG 20 10 under the Commercial General and Umbrella Liability Insurance required in this Contract, the Contractor waives all rights against Owner and its officers, officials, employees, volunteers and agents for recovery of damages arising out of or incident to the Contractors work.
- E. General Insurance Provisions.**
- 1. Evidence of Insurance.** Prior to beginning Work, Contractor shall furnish Owner with a certificate of insurance and applicable policy endorsements, executed by a duly authorized representative of each insurer, showing compliance with the insurance requirements set forth above. All certificates shall provide for 30 days written notice to Owner prior to the cancellation or material change of insurance referred to therein. Written notice to Owner shall be by certified mail, return receipt requested. Failure of Owner to demand such certificate, endorsement or other evidence of full compliance with these insurance requirements or failure of Owner to identify a deficiency from evidence that is provided shall not be construed as a waiver of Contractor's obligation to maintain such insurance. Owner shall have the right, but not the obligation, of prohibiting Contractor or any subcontractor from entering the Project site until such certificates or other evidence that insurance has been placed in complete compliance with these requirements is received and approved by Owner. Failure to maintain the required insurance may result in termination of this Contract at Owner's option. With respect to insurance maintained after final payment in compliance with a requirement above, an additional certificate shall provide certified copies all insurance policies required above within 10 days of Owner's written request for said copies.
- 2. Acceptability of Insurers.** For insurance companies which obtain a rating from A.M. Best, that rating should be no less than A VII using the most recent edition of the A.M. Bests Key Rating Guide. If the Bests rating is less than A VII or a Best's rating is not

obtained, the Owner has the right to reject insurance written by an insurer it deems unacceptable.

3. Cross-Liability Coverage. If Contractor's liability policies do not contain the standard ISO separation of insureds provision, or a substantially similar clause, they shall be endorsed to provide cross-liability coverage.

4. Deductibles and Self-Insured Retentions. Any deductibles or self-insured retentions must be declared to the Owner. At the option of the Owner, the Contractor may be asked to eliminate such deductibles or self-insured retentions as respects the Owner, its officers, officials, employees, volunteers and agents or required to procure a bond guaranteeing payment of losses and other related costs including but not limited to investigations, claim administration and defense expenses.

5. Subcontractors. Contractor shall cause each subcontractor employed by Contractor to purchase and maintain insurance of the type specified above. When requested by the Owner, Contractor shall furnish copies of certificates of insurance evidencing coverage for each subcontractor.

F. Indemnification

To the fullest extent permitted by law, the Contractor shall waive all right of contribution and shall indemnify and hold harmless the Owner and its officers, officials, employees, volunteers and agents from and against all claims, damages, losses and expenses, including but not limited to legal fees (attorney's and paralegals fees and court costs), arising out of or resulting from the performance of the Contractor's work, provided that any such claim, damage, loss or expense (i) is attributable to bodily injury, sickness, disease or death, or injury to or destruction of tangible property, other than the work itself, including the loss of use resulting therefrom and (ii) is caused in whole or in part by any wrongful or negligent act or omission of the Contractor, any Subcontractor, anyone directly or indirectly employed by any of them or anyone for whose acts any of them may be liable, regardless of whether or not it is caused in part by a party indemnified hereunder. Such obligation shall not be construed to negate, abridge, or otherwise reduce any other right or obligation of indemnity which would otherwise exist as to any party or person described in this Paragraph. Contractor shall similarly protect, indemnify and hold and save harmless the Owner, its officers, officials, employees, volunteers and agents against and from any and all claims, costs, causes, actions and expenses including but not limited to legal fees, incurred by reason of Contractor's breach of any of its obligations under, or Contractor's default of, any provision of the Contract.

BID PROPOSAL

Bidder is:

An Individual:

By: _____ (SEAL)

(Individual's Name)

Doing business as _____

Business Address: _____

Phone Number: _____

A Partnership:

By: _____ (SEAL)

(Firm Name)

(General Partner)

Business Address: _____

Phone Number: _____

A Corporation:

By: _____ (SEAL)

(Corporation Name)

(State of Incorporation)

By: _____

(Name of Person Authorized to Sign)

Title: _____ Attest _____

(Secretary)

(CORPORATE SEAL)

Business Address: _____

Phone Number: _____

By submission of its bid, the Bidder acknowledges, agrees, represents, declares and warrants:

1. That it has visited and examined the site, and is fully familiar with and has satisfied itself as to the site and the local and other conditions under which the Work is to be performed, including without limitation, (i) surface conditions of the site and subsurface conditions readily observable or ascertainable upon the exercise of reasonable diligence and all structures and obstructions thereon and thereunder, both natural and manmade; (ii) the nature, location, and character of the general area in which the Project is located, including without limitation, its climatic conditions, available labor supply and labor costs, and available equipment supply and equipment costs; and (iii) the quality and quantity of all materials, supplies, tools, equipment, labor, and professional services necessary to complete the Work in the manner and within the cost and time frame indicated by the Contract Documents; and has correlated the Bidder's personal observations with the requirements of and matters indicated in or by the proposed Contract Documents;
2. To hold the bid open for sixty (60) days subsequent to the date of the bid opening;
3. To enter into and execute a Contract with the Owner within ten (10) days after the date of the Notice of Award, if awarded on the basis of this bid, and in connection therewith to:
 - (a) Furnish all bonds and insurance required by the Contract Documents;
 - (b) Accomplish the Work in accordance with the Contract Documents; and
 - (c) Complete the Work within the time requirements as set forth in the Contract Documents;
4. That the Bidder has carefully examined the Instructions to Bidders, the Drawings and Specifications, and the Project Manual in its entirety, in order to determine how these affect the bid proposal, the forms of the Contract, the required Contract bonds, and duration thereof, and that the Bidder has inspected in detail the site of the proposed Work, and been familiarized with all of the requirements of construction, and of the governing municipalities under whose jurisdiction the Project falls (its codes, ordinances and construction requirements therein), and understands that in making this proposal, the Bidder waives all rights to plead any misunderstanding regarding the same;
5. That if this proposal is accepted, the Bidder is to provide all of the necessary equipment, tools, apparatus, labor, and other means of construction, and to do all of the Work and to furnish all of the materials specified in the Contract Documents in the manner and at the time therein prescribed, and in accordance with the requirements set forth;
6. To furnish a Bid Bond in accordance with the Instructions to Bidders;

CONTRACTOR COMPLIANCE AND CERTIFICATIONS ATTACHMENT

Note: The following certifications form an integral part of the Agreement between the Owner and Contractor. Breach by Contractor of any of the certifications may result in immediate termination of the Contractor's services by Owner.

THE UNDERSIGNED CONTRACTOR HEREBY ACKNOWLEDGES, CERTIFIES, AFFIRMS AND AGREES AS FOLLOWS:

- A. Contractor has carefully read and understands the contents, purpose and legal effect of this document as stated above and hereafter in this document. The certifications contained herein are true, complete and correct in all respects.

- B. Contractor shall abide by and comply with, and in contracts which it has with all persons providing any of the services or Work on this Project on its behalf shall require compliance with, all applicable Federal, State and local laws and rules and regulations including without limitation those relating to 1) fair employment practices, affirmative action and prohibiting discrimination in employment; 2) workers' compensation; 3) workplace safety; 4) wages and claims of laborers, mechanics and other workers, agents, or servants in any manner employed in connection with contracts involving public funds or the development or construction of public works, buildings or facilities; and 5) steel products procurement.

- C. All contracts for this Project are subject to the provisions of the Illinois Prevailing Wage Act (820 ILCS 130/0.01 *et seq.*), providing for the payment of the prevailing rate of wage to all laborers, workmen and mechanics engaged in the Work. Contractor shall pay prevailing rates of wages in accordance with the wage determination included with the Contract Documents and any subsequent determinations issued by the Illinois Department of Labor which shall supersede the determination included in the Contract Documents, all in accordance with applicable law. Contractor is responsible for determining the applicable prevailing wage rates at the time of bid submission and at the time of performance of the Work. Failure of Contractor to make such determination shall not relieve it of its obligations in accordance with the Contract Documents. Contractor shall also comply with all other requirements of the Act including without limitation those pertaining to inclusion of required language in subcontracts, job site posting, maintenance and submission of certified payroll records and inspection of records. Contractor is not barred from entering into public contracts under Section 11a of the Illinois Prevailing Wage Act due to its having been found to have disregarded its obligations under the Act.

- D. To the best of Contractor's knowledge, no officer or employee of Contractor has been convicted of bribery or attempting to bribe an officer or employee of the State of Illinois, or any unit of local government, nor has any officer or employee made an admission of guilt of such conduct which is a matter of record.

- E. Contractor is not barred from bidding on or entering into public contracts due to having been convicted of bid-rigging or bid rotating under paragraphs 33E-3 or 33E-4 of the Illinois Criminal Code. Contractor also certifies that no officers or employees of the Contractor have been so convicted and that Contractor is not the successor company or a new company created by the officers or owners of one so convicted. Contractor further certifies that any such conviction occurring after the date of this certification will be reported to the Owner, immediately in writing, if it occurs during the bidding process, or otherwise prior to entering into the Contract therewith.
- F. Pursuant to the Illinois Human Rights Act (775 ILCS 5/2-105), Contractor has a written sexual harassment policy that includes, at a minimum, the following information: (i) a statement on the illegality of sexual harassment; (ii) the definition of sexual harassment under State law; (iii) a description of sexual harassment utilizing examples; (iv) the Contractor's internal complaint process including penalties; (v) the legal recourse, investigative and complaint process available through the Illinois Department of Human Rights and the Human Rights Commission and directions on how to contact both; and (vi) protection against retaliation as provided by Section 6-101 of the Illinois Human Rights Act. Contractor further certifies that such policy shall remain in full force and effect. A copy of the policy shall be provided to the Illinois Department of Human Rights upon request.
- G. Contractor shall abide by the "Employment of Illinois Workers on Public Works Act" (30 ILCS 570/0.01 *et seq.*) which stipulates that whenever there is a period of excessive unemployment in Illinois, defined as any month immediately following two (2) consecutive calendar months during which the level of unemployment in Illinois exceeds five percent (5%) as measured by the U.S. Bureau of Labor Statistics in its monthly publication of employment and unemployment figures, the Contractor shall employ not less than ninety percent (90%) Illinois laborers unless otherwise exempted as so stated in the Act. ("Illinois laborer" means any person who has resided in Illinois for at least 30 days and intends to become or remain an Illinois resident). Other laborers may be used if Illinois laborers are not available or are incapable of performing the particular type of work involved if so certified by the Contractor and approved by the Owner.
- H. (i) Contractor's bid proposal was made without any connection or common interest in the profits anticipated to be derived from the Contract by Contractor with any other persons submitting any bid or proposal for the Contract; (ii) the Contract terms are in all respects fair and the Contract will be entered into by Contractor without collusion or fraud; (iii) no official, officer or employee of the Owner has any direct or indirect financial interest in Contractor's bid proposal or in Contractor, (iv) the Contractor has not directly or indirectly provided, and shall not directly or indirectly provide, funds or other consideration to any person or entity (including, but not limited to, the Owner and the Owner's employees and agents), to procure improperly special or unusual treatment

with respect to this Agreement or for the purpose of otherwise improperly influencing the relationship between the Owner and the Contractor. Additionally, the Contractor shall cause all of its officers, directors, employees, (as the case may be) to comply with the restrictions contained in the preceding sentence.

- I. Contractor knows and understands the Equal Employment Opportunity Clause administrated by the Illinois Department of Human Rights, which is incorporated herein by this reference, and agrees to comply with the provisions thereof. Contractor further certifies that Contractor is an "equal opportunity employer" as defined by Section 2000 (e) of Chapter 21, Title 42 of the United States Code Annotated and Executive Orders #11246 and #11375 as amended, which are incorporated herein by this reference.
- J. Neither Contractor nor any substantially owned affiliated company is participating or shall participate in an international boycott in violation of the provisions of the U.S. Export Administration Act of 1979 or the regulations of the U.S. Department of Commerce promulgated under that Act.
- K. Contractor is not barred from contracting with the Owner because of any delinquency in the payment of any tax administrated by the Illinois Department of Revenue, unless it is being contested. Contractor further certifies that it understands that making a false statement regarding delinquency in taxes is a Class A misdemeanor and, in addition, voids the Contract and allows the Owner, a municipal entity, to recover in a civil action all amounts paid to the Contractor.
- L. If Contractor has 25 or more employees at the time of letting of the Contract, Contractor knows, understands and acknowledges its obligations under the Illinois Drug Free Workplace Act (30 ILCS 580/1 *et seq.*) and certifies that it will provide a drug-free workplace by taking the actions required under, and otherwise implementing on a continuing basis, Section 3 of the Drug Free Workplace Act. Contractor further certifies that it has not been debarred and is not ineligible for award of this Contract as the result of a violation of the Illinois Drug Free Workplace Act.
- M. Contractor knows, understands and acknowledges its obligations under the Substance Abuse Prevention on Public Works Act, 820 ILCS 265/1 *et seq.* A true and complete copy of Contractor's Substance Abuse Prevention Program Certification is attached to and made a part of this Contractor Compliance and Certification Attachment.
- N. The Contractor shall comply with the requirements and provisions of the Freedom of Information Act (5 ILCS 140/1 *et. seq.*) and, upon request of the Arlington Heights Park District's designated Freedom of Information Act Officer (FOIA Officer), Contractor shall within two (2) business days of said request, turn over to the FOIA Officer any record in the possession of the Contractor that is deemed a public record under FOIA.

SUBSTANCE ABUSE PREVENTION PROGRAM CERTIFICATION

The Substance Abuse Prevention on Public Works Projects Act, 820 ILCS 265/1 et seq., (“Act”) prohibits any employee of the Contractor or any Subcontractor on a public works project to use, possess or be under the influence of a drug or alcohol, as those terms are defined in the Act, while performing work on the project. The Contractor/Subcontractor **[circle one]**, by its undersigned representative, hereby certifies and represents to the Arlington Heights Park District that **[Contractor/Subcontractor must complete either Part A or Part B below]:**

A. The Contractor/Subcontractor **[circle one]** has in place for all of its employees not covered by a collective bargaining agreement that deals with the subject of the Act a written substance abuse prevention program, a true and correct copy of which is attached to this certification, which meets or exceeds the requirements of the Substance Abuse Prevention on Public Works Act, 820 ILCS 265/1 et seq. **[Contractor/Subcontractor must attach a copy of its substance abuse prevention program to this Certification.]**

Name of Contractor/Subcontractor (print or type)

Name and Title of Authorized Representative (print or type)

_____ Dated: _____
Signature of Authorized Representative

B. The Contractor/Subcontractor **[circle one]** has one or more collective bargaining agreements in effect for all of its employees that deal with the subject matter of the Substance Abuse Prevention on Public Works Projects Act, 820 ILCS 265/1 et seq.

Name of Contractor/Subcontractor (print or type)

Name and Title of Authorized Representative (print or type)

_____ Dated: _____
Signature of Authorized Representative

IMPORTANT NOTICE OF RESPONSIBILITY FOR PERIODIC REVISIONS TO PREVAILING WAGE RATES

Revisions of the following Prevailing Wage Rates are made periodically by the Illinois Department of Labor. These may be accessed by computer at <https://www.illinois.gov/idol/Laws-Rules/CONMED/Rates/2015/july/COUNTY.HTM>. As required by the Prevailing Wage Act, any and all such revisions supersede the Department of Labor's June determination. Bidders and Contractors performing work on this Project are responsible for determining the applicable prevailing wage rates at the time of bid submission and performance of the Work. Failure of a Bidder/Contractor to make such determination shall not relieve it of its obligations in accordance with the Contract Documents. In consideration for the award to it of the Contract for this Project, the Contractor agrees that the foregoing notice satisfies any obligation of the public body in charge of this Project to notify the Contractor of periodic changes in the prevailing wage rates and the Contractor agrees to assume and be solely responsible for, as a material obligation of the Contractor under the Contract, the obligation to determine periodic revisions of the prevailing wage rates, to notify its subcontractors of such revisions, to post such revisions as required for the posting of wage rates under the Act, and to pay and require its subcontractors to pay wages in accordance with such revised rates.

SCOPE OF WORK: Park District

Scope of work

- 1) General Conditions and requirements: Administration, Portable Toilets for duration of Project including maintenance of protective measures, barricades, traffic control, construction fence, erosion control, dumpsters and debris removal and disposal, etc...
- 2) Provide everything required for the following specification sections: Site Clearing, Earth Moving, Asphalt Paving, Concrete Paving, Storm Utility Drainage Piping.
- 3) Demolition: Remove and dispose all specified asphalt or concrete and salvage any clean subgrade stone for re-use. Furnish all labor, tools, and equipment required and necessary to complete the following where necessary: site demolition, clearing, and disposal, including but not limited to: Saw cutting, curbs, asphalt, concrete, railings, paving, parking stops, bollards, sidewalks, drain tile, traps, site utility removal and abandonment including piping and structures; and all other demolition required to provide a clear site and for new construction. Existing conditions are to be verified prior to bidding for actual quantities. Demolition and excavation debris shall be hauled from the site and legally disposed of by this Contractor. All demolition items indicated to be salvaged shall be carefully removed in order to preserve the item, Coordinate the removal of salvaged items from the site.
- 4) Site Work: Excavation, topsoil removal, topsoil placement, stripping, stockpiling, spoil removal, rough grading, subgrading, finish grading, cutting, filling, backfilling, fill, granular material, consolidation, compaction, proof rolling, disking, aerating, geotextile filter fabric, silt fence, erosion control, dust control, tree & vegetation protection, existing construction and utility protection, dewatering, temporary construction entrances, etc. Provide grading, site cuts, and fills to subgrades, contours, or elevations indicated, including curb cuts. Provide additional grading to promote site drainage during construction. Upon completion grade all areas disturbed by construction. Place clean topsoil as necessary to meet landscape requirements. Proof roll the subgrade on all curb and paved areas immediately prior to the installation of stone base. Proof roll the granular subbase on all curb and paved areas immediately prior to the curb and paving installations. Provide a loaded tandem axle vehicle for proof roll testing. Provide and place Geo-Fabrics and Geo-Grids.
- 5) All subgrade and granular base shall be finish-graded and mechanically consolidated and compacted to ± 0.05 of a foot of the correct elevation. All backfill will be placed in mechanically consolidated and compacted lifts not to exceed the specified amount (12 inches' maximum if not indicated). Testing may be performed by an independent testing agency hired by the Owner as required by the specifications. All trench backfilling under slab on grade, sidewalks, walkways, curbs, asphalt pavement, or other hard surfaces will be granular and mechanically consolidated and compacted to 95% modified proctor. All turf areas using soil backfill will also require mechanical consolidation and compaction to avoid future depressions in lawn areas and compacted to 80% modified proctor. Specifications require compaction to the maximum density with optimum moisture content. This may require the removal of material that may be too wet or the addition of water to achieve the optimum moisture content to ensure correct compaction.

- 6) Paving: granular base, asphalt paving, tack coat, primer, sealants, bollards, geotextile fabric, engineered layout, traffic control, striping and signage. Finish grade and compact all subgrade materials prior to the installation of granular base. Provide granular base, primer and fabric as required for all paving.
- 7) Paving fabrics to be placed in longest continuous lengths possible. No Quilting
- 8) Site utilities: including, but not limited to and including adjustment of, storm sewer system, pipes, fittings, manholes, PVC pipe, coring, catch basins, underdrains, cleanouts, inlet filter basket, frames, grates, inlets, restrictors, inspection ports, inline drains, excavation, saw cutting, pavement repairs, backfill, spoil removal, granular material, compaction, dewatering, demolition and removal of utility lines.
- 9) Concrete: form work, concrete, reinforcing steel, mesh, finishing, dowels, expansion joints, sidewalks, walks, curing compound, saw cutting, construction joints, expansion joints, concrete accessories, finishes, formwork, formwork accessories, reinforcing accessories, control joints, construction joints, expansion joints, isolation joints, joint filler, joint sealants. Provide all curbs, gutters, monolithic curbs, depressed curbs and barrier curbs including aggregate base as indicated and required. Tactile Warning and ADA strips. Remove ends of existing or damaged curb to provide a straight, clean and sound attachment of new curbing. Provide all joints, dowels, and sealants as required.
- 10) Landscaping: Provide all landscaping and site furnishings including but not limited to: seed mix, soil preparation, watering, handrails. Restoration of turf areas disturbed from construction activities. Provide Legend Sport Seed Mix from Conserv.
- 11) All layout required to complete this scope of work; no additional compensation shall be approved for the replacement of any layout found to be missing, removed, or damaged
- 12) This contractor will provide a complete as-built survey for the project upon completion of the proposed work. A complete as-built survey shall be completed by this contractor utilizing the services of a licensed professional surveyor. This as-built survey shall include, but not be limited to: all grading, paving, hard surfaces, site utility, structures and pipe inverts, storm water calculations, etc. The as-built survey shall include all new improvements.
- 13) Locate and hand excavate for public and private utilities as required for installations under this scope of work. Any damage to existing services will be at this Contractors expense.
- 14) Temporary stabilized construction entrance; provide, maintain, and remove as required. Install Temporary Road for construction, staging and access; the CA-1 stone road capped with CA-6 consolidated and compacted. These temporary roads shall be installed, maintained, and removed by this contractor. Upon removal of the temporary road, the existing conditions shall be graded to prepare for new construction.
- 15) Furnish and Install Silt Fence. Complete and comply with all regulatory requirements of the SWPPP and IEPA required by the permit and/or governing local storm water agencies, including but not limited to personnel training, erosion controls, sediment controls, BMPs, maintenance, spill prevention/cleanup/and reporting, and all other requirements

associated with your scope of work. This contractor shall provide the general stormwater site inspections and reporting for all aspects for this project.

- 16) Provide granular material under slabs, sidewalks, walkways, curbs, concrete paving. Finish grade and mechanically compact granular material under flatwork.
- 17) Provide all dewatering including pumping of accumulated groundwater and rainwater required for the completion of this scope of work.
- 18) Provide Allowance of \$20,000 for to be used only as directed by AHPD.

Dryden Park: Parking Lot Reconstruction

BID FORM

Contractor: _____

Contact: _____

Phone: _____

Project: Dryden Parking Lot Reconstruction

Location: Dryden Park; 811 E Rockwell St. Arlington Heights, IL 60005

Pre Bid Meeting: 06/03 @ 10am @ Dryden Park; 811 E Rockwell St. Arlington Heights, IL 60005

Bid Due Date: 06/10 @ 1:00 pm. 410 N Arlington Heights Rd.

Bid Documents: Issued for bid Drawings 05/24/2022 and Specifications 05/24/2022

Project Schedule: 8/1 thru 11/30

BASE BID PRICE

_____ Dollars
(\$ _____)

Alternates:

Alternate #1: None

Add/Deduct/No Change \$ _____

Voluntary Alternates:

Description of Alternate Proposed (state any change in time required):

Add/Deduct/No Change \$ _____

Unit Prices:

- CA-1 – Placed, Graded and Compacted: _____ CY
- CA-6 - Placed, Graded and Compacted: _____ CY
- Excavation and Removal of Unsuitable soil: _____ CY
- Operator: _____ \$/hr
- Laborer: _____ \$/hr
- Barrier Curb: _____ \$/lf
- 12" DIP: _____ \$/lf
- 12" RCP: _____ \$/lf
- 4' Catch Basin: _____

Quantities and Values

- Asphalt: Quantity: _____ Value \$ _____
- Detention System Installation: \$ _____
- Detention System Material: \$ _____